

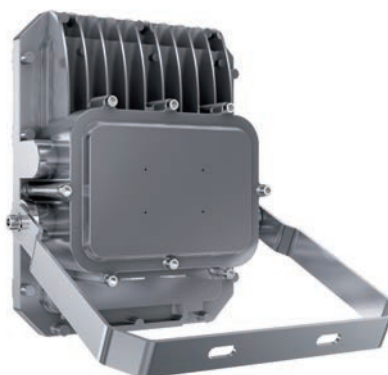
FLA1 FLA2 Series



LED Explosion Proof Light



Front view: FLA1/FLA1e



Back view: FLA1



Back view: FLA1e



Front view: FLA2/FLA2e



Back view: FLA2



Back view: FLA2e

Note:

- ◆ **FLA1: Flame-proof type**
- ◆ **FLA1e: Flame-proof and increased safe type**
- ◆ **FLA2: Flame-proof type**
- ◆ **FLA2e: Flame-proof and increased safe type**

Certifications:

- ◆ **Marking ATEX**
 - ◆ **Flame-proof:**
Gas: II 2 G Ex db IIB T6...T4 Gb
Dust: II 2 D Ex tb IIIC T80°C...120°C Db IP66
 - ◆ **Flame-proof and increased safe:**
Gas: II 2 G Ex db eb IIB T6...T4 Gb
Dust: II 2 D Ex tb IIIC T80°C...120°C Db IP66
- ◆ **Standard:**
 - ◆ EN 60079-0/ EN 60079-1/ EN-60079-31/ EN 60079-7
 - ◆ Zone 1&2, Zone 21&22
- ◆ **Marking IECEx:**
 - ◆ **Flame-proof:**
Gas: Ex db IIB T6...T4 Gb
Dust: Ex tb IIIC T80°C...120°C Db IP66
 - ◆ **Flame-proof and increased safe:**
Gas: Ex db eb IIB T6...T4 Gb
Dust: Ex tb IIIC T80°C...120°C Db IP66
- ◆ **Ingress Protection: IP66**
- ◆ **Impact Resistance (shock): IK10**

LED Explosion Proof Light - FLA1 FLA2 Series

Features:

- ⦿ 0-10V dimming.
- ⦿ FLA2/FLA2e with emergency function - up to 90 minutes back-up supply time. FLA1/FLA1e without emergency function.
- ⦿ High-quality copper free aluminum housing, excellent cooling performance.
- ⦿ Heavy duty and high impact resistance design, great durability and reliability.
- ⦿ Replaceable LED board & driver, flexible and convenient maintenance.
- ⦿ Marine rating powder coated finish treatment, outstanding corrosion resistance.

Standard Materials:

- ⦿ Housing: Copper free aluminum
- ⦿ Diffuser: Tempered glass
- ⦿ Hardware: Stainless steel

Specifications:

| Model | Wattage | Ambient Temperature | Lumens(lm) | Efficacy (lm/W) | CRI | CCT | Voltage | LED Chip | Beam Angle |
|------------------|---------|--|--------------|-----------------|-----|-------------|----------------------|---------------|---------------------|
| EX-XXXW FLA2YZD | 20-200W | T6: -40°C to +40°C (-40°F to +104°F) T5: -40°C to +55°C (-40°F to +131°F) | 2,600-26,000 | 130 | >70 | 2200K-7000K | AC100-277V/ DC36V | 3030/ 5050 | 40°/60° 90°/120° |
| EX-XXXW FLA2YZD | 20-150W | T4: -40°C to +65°C (-40°F to +149°F) | 2,600-19,500 | | | | | | |
| EX-XXXW FLA2eYZD | 20-200W | T6: -40°C to +40°C (-40°F to +104°F) T5: -40°C to +55°C (-40°F to +131°F) | 2,600-26,000 | | | | | | |
| EX-XXXW FLA2eYZD | 20-150W | T4: -40°C to +65°C (-40°F to +149°F) | 2,600-19,500 | | | | | | |
| EX-XXXW FLA1YZD | 20-100W | T6: -40°C to +40°C (-40°F to +104°F) T5: -40°C to +55°C (-40°F to +131°F) | 2,600-13,000 | | | | | | |
| EX-XXXW FLA1YZD | 20-60W | T4: -40°C to +65°C (-40°F to +149°F) | 2,600-7,800 | | | | | | |
| EX-XXXW FLA1eYZD | 20-100W | T6: -40°C to +40°C (-40°F to +104°F) T5: -40°C to +55°C (-40°F to +131°F) | 2,600-13,000 | | | | | | |
| EX-XXXW FLA1eYZD | 20-60W | T4: -40°C to +65°C (-40°F to +149°F) | 2,600-7,800 | | | | | | |

| Model | Net Weight | Gross Weight |
|--------------------|--------------------|--------------------|
| EX-XXXW FLA2(e)YZD | 12.5 kg/ 27.56 lbs | 14.5 kg/ 31.97 lbs |
| EX-XXXW FLA1(e)YZD | 8.5 kg/ 18.74 lbs | 10 kg/ 22.05 lbs |

Ordering Guide:



① PRODUCT CATEGORY

- ⦿ Explosion-proof product

② WATTAGE

- ⦿ FLA2: 20-200W
- ⦿ FLA2e: 20-200W
- ⦿ FLA1: 20-100W
- ⦿ FLA1e: 20-100W

③ PRODUCT SERIES

- ⦿ FLA1: Flame-proof type
- ⦿ FLA1e: Flame-proof and increased safe type
- ⦿ FLA2: Flame-proof type
- ⦿ FLA2e: Flame-proof and increased safe type

④ DIMMING OPTION

- ⦿ D= dimmable
- ⦿ N= non-dimmable

⑤ CCT

- ⦿ From 2200K to 7000K
- ⦿ 22=2200K, 30=3000K, ..., 70=7000K

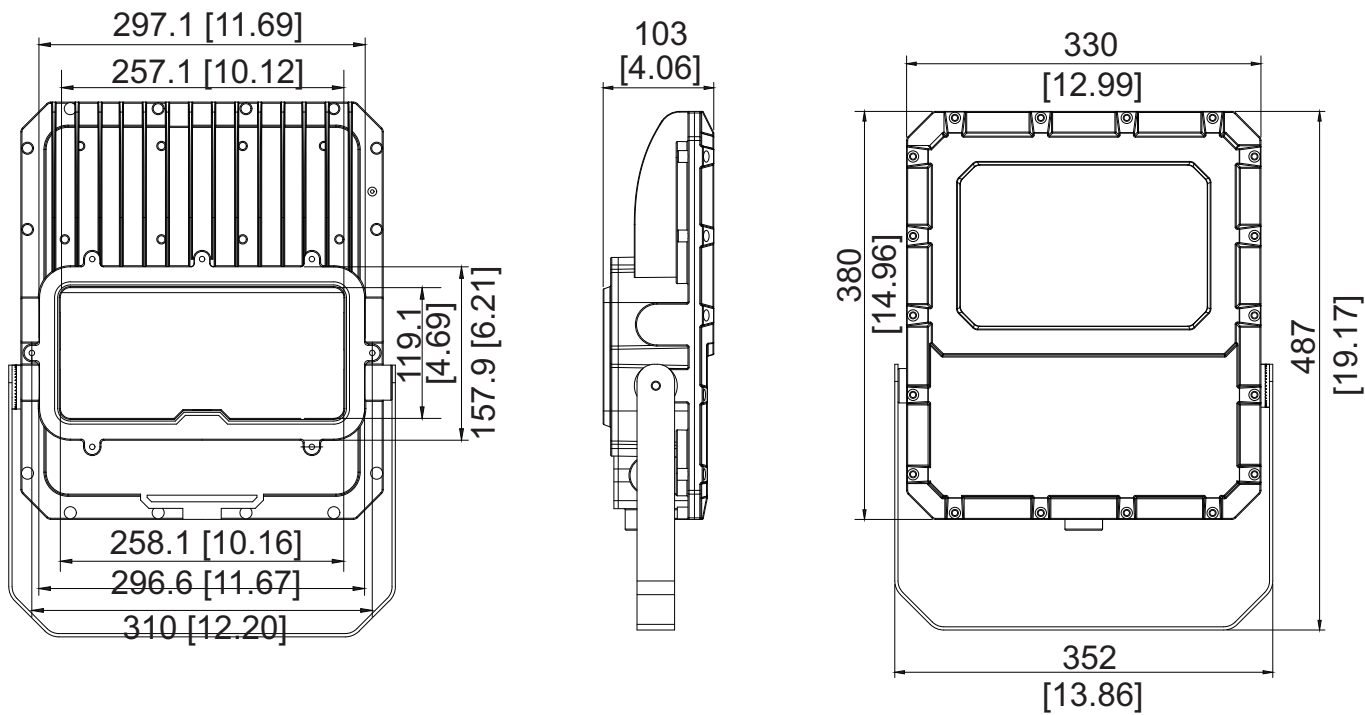
⑥ BEAM ANGLE

- ⦿ D40= 40°
- ⦿ D90= 90°
- ⦿ D60= 60°
- ⦿ D120= 120°

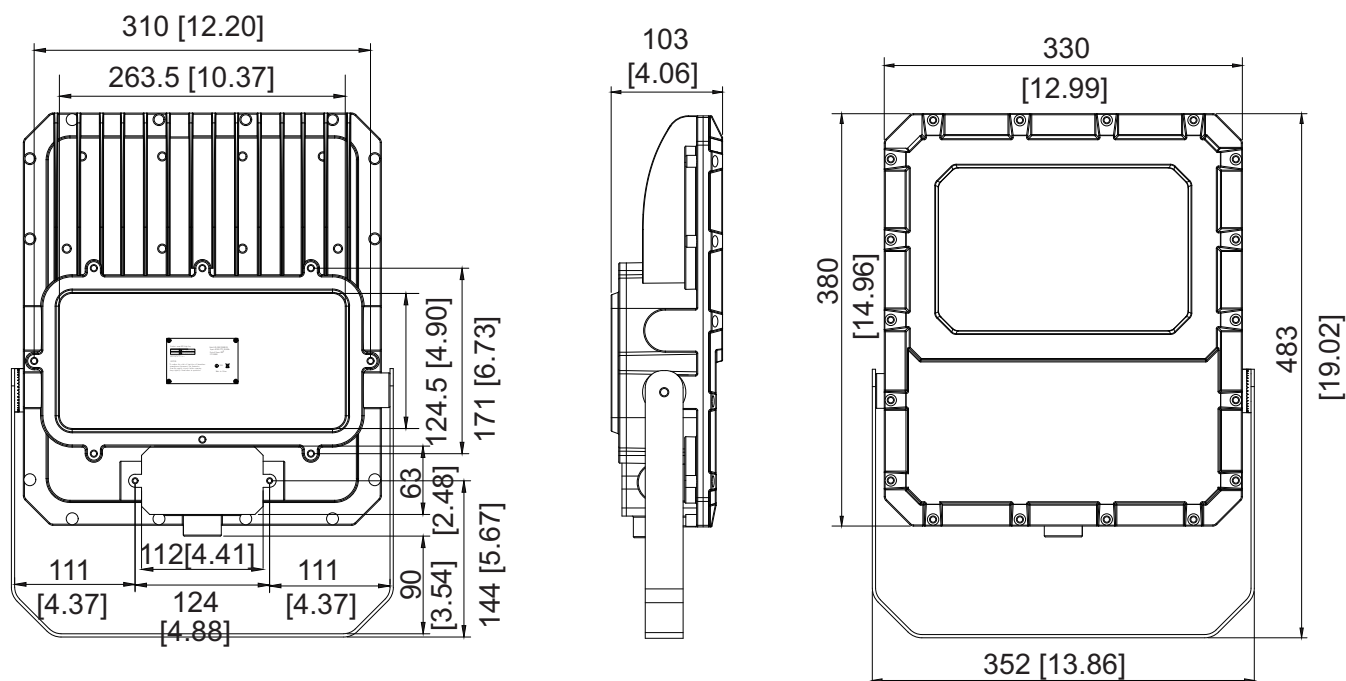
LED Explosion Proof Light - FLA1 FLA2 Series

Dimensions: mm [inch]

FLA2

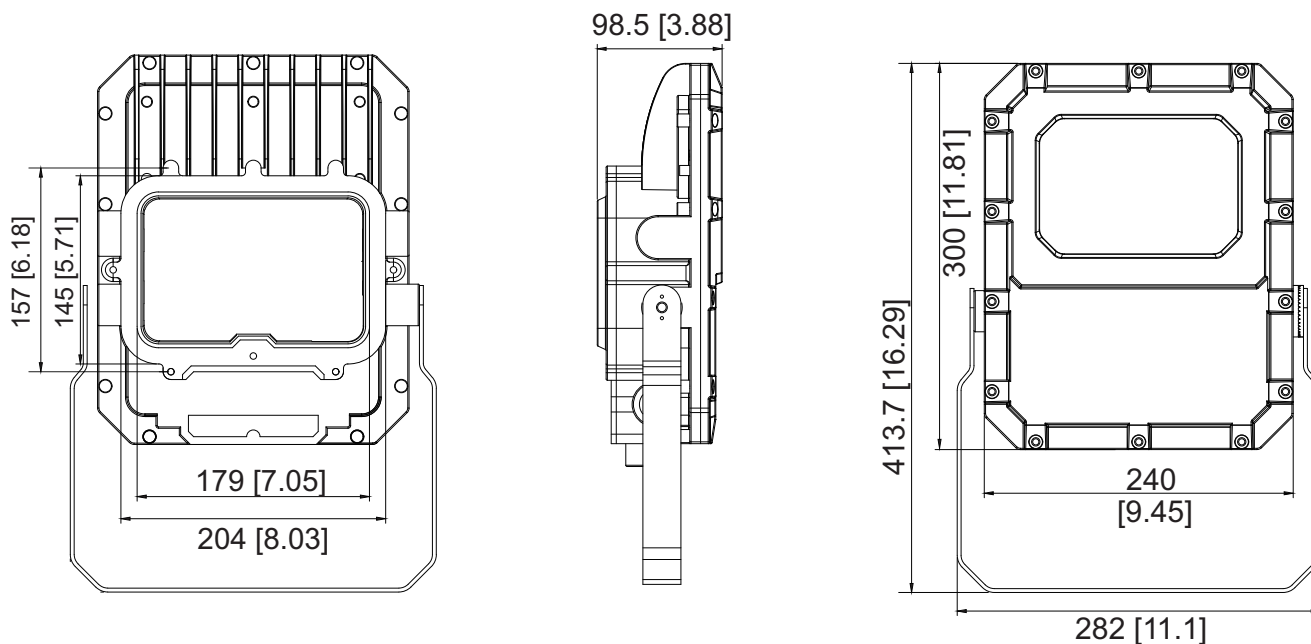


FLA2e

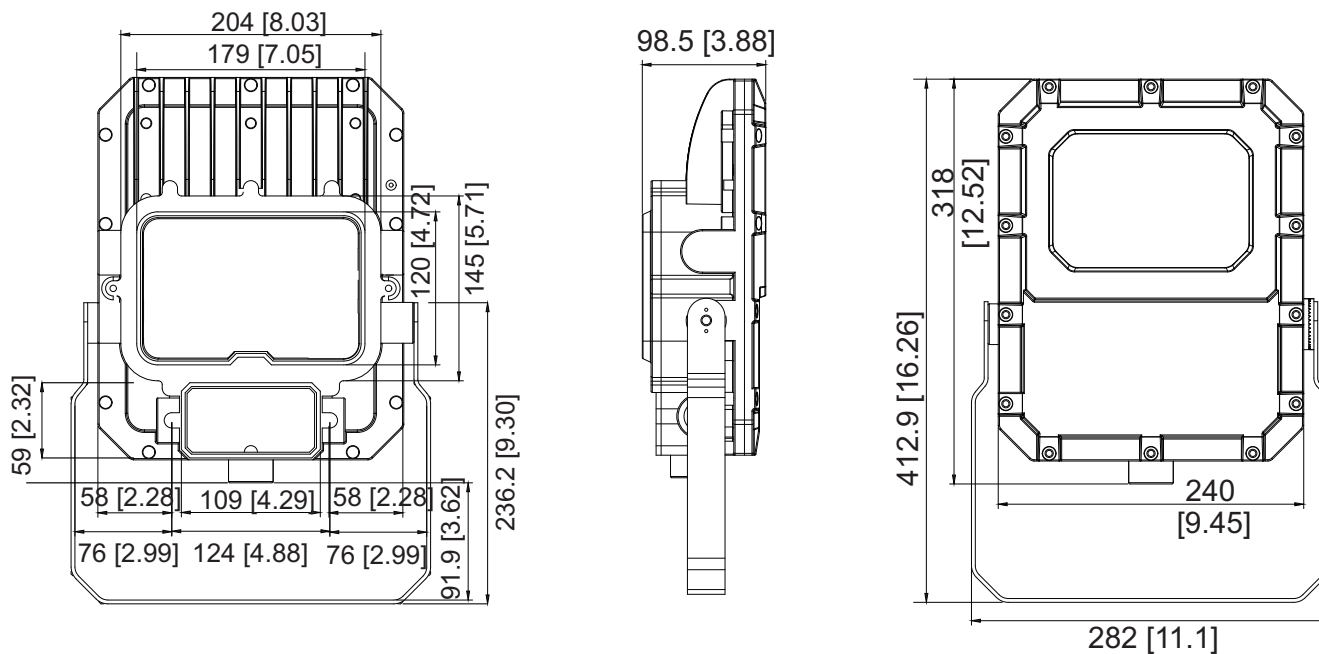


LED Explosion Proof Light - FLA1 FLA2 Series

FLA1

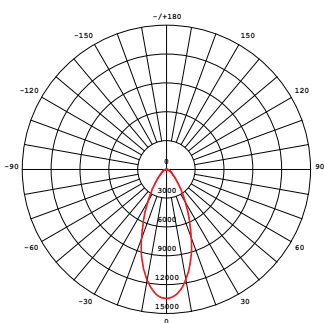


FLA1e

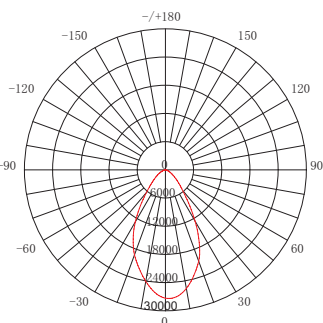


LED Explosion Proof Light - FLA1 FLA2 Series

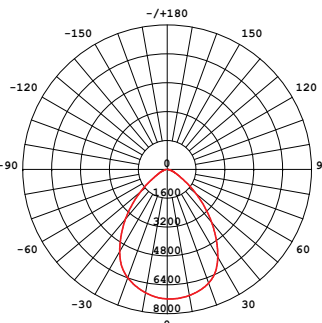
Photometry:



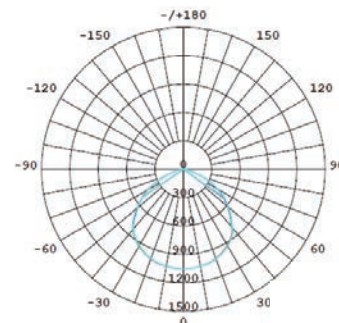
Beam angle: 40°



Beam angle: 60°



Beam angle: 90°



Beam angle: 120°

Application :

- ⦿ Oil and gas industry
 - All petroleum production and refining
 - Petroleum loading and transportation
 - Petroleum storage and retail
 - LNG industry
 - All mining operations and service
- ⦿ Ocean, marine and aerospace field
 - Ocean platform operation facilities
 - Aerospace clean room and production
 - Ocean vessel operations
- ⦿ Food and alcohol industry
 - Flour and fine particle production and storage
 - Food and distilling production
 - Alcohol industry
- ⦿ Chemical industry
 - All types of paint facilities
 - Chemical production and storage
- ⦿ Metal treatment
 - Steel and aluminum factories
 - Pumping stations in any environment
 - Metal smelting, foundry and fabrication
- ⦿ Other high humidity, high dust, high temperature, vapor locations.